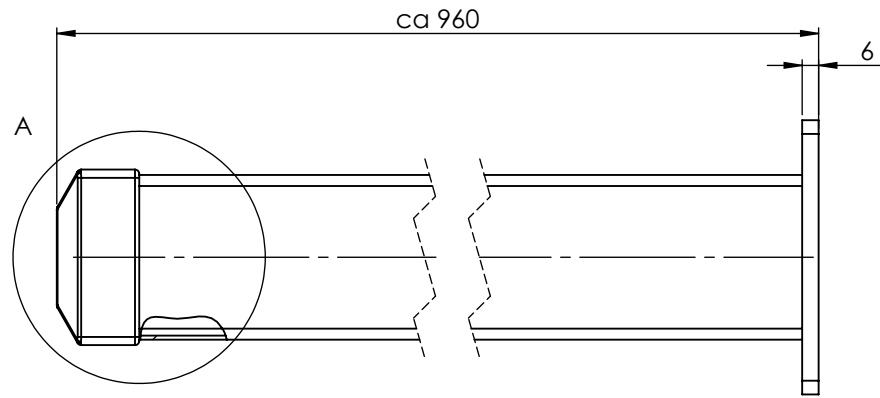
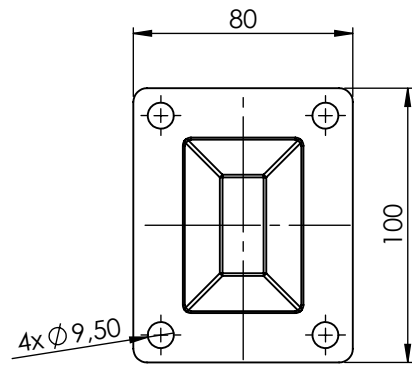
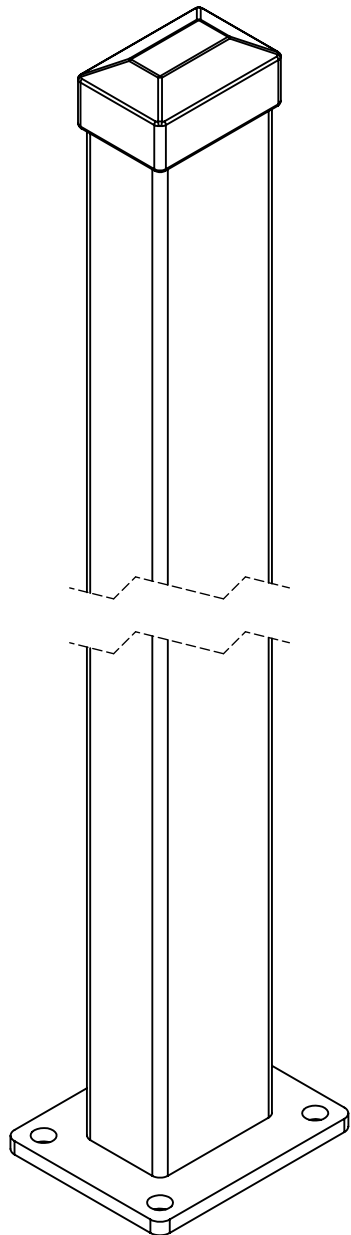
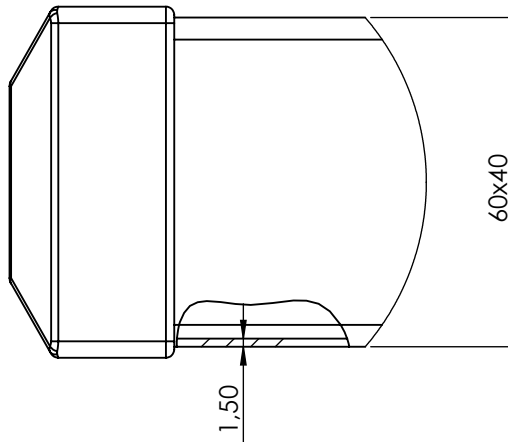


UNLESS OTHERWISE SPECIFIED: DIMENSIONS ARE IN MILLIMETERS				FINISH: Duplex System: hot dip galvanization+ RAL 7016 powder coating		DEBUR AND BREAK SHARP EDGES		DO NOT SCALE DRAWING		REVISION	
SURFACE FINISH:								General tolerances: ISO 2768			
TOLERANCES:								TITLE: <b>Benders fence module 900x1960</b>			
LINEAR:											
ANGULAR:											
DRAWN:		NAME		SIGNATURE		DATE		DWG NO. SB_900		A3	
CHK'D:						27.03.2017		MATERIAL:		SCALE: 1:10	
APPV'D:						27.03.2017		WEIGHT: 12.30 kg		SHEET 1 OF 1	



A  
1:1



UNLESS OTHERWISE SPECIFIED: DIMENSIONS ARE IN MILLIMETERS SURFACE FINISH: TOLERANCES: LINEAR: ANGULAR:		FINISH: Duplex System: hot dip galvanization+ RAL 7016 powder coating	DEBUR AND BREAK SHARP EDGES	DO NOT SCALE DRAWING	REVISION
				General tolerances: <b>ISO 2768</b>	
NAME	SIGNATURE	DATE	TITLE: <b>Fence post Benders 950 mm</b>		
DRAWN		27.03.2017	DWG. NO. <b>SBP_950</b>		
CHK'D		27.03.2017			
APP'VD					
		MATERIAL:	SCALE:1:2		A3
		WEIGHT: 2.46 kg	SHEET 1 OF 1		